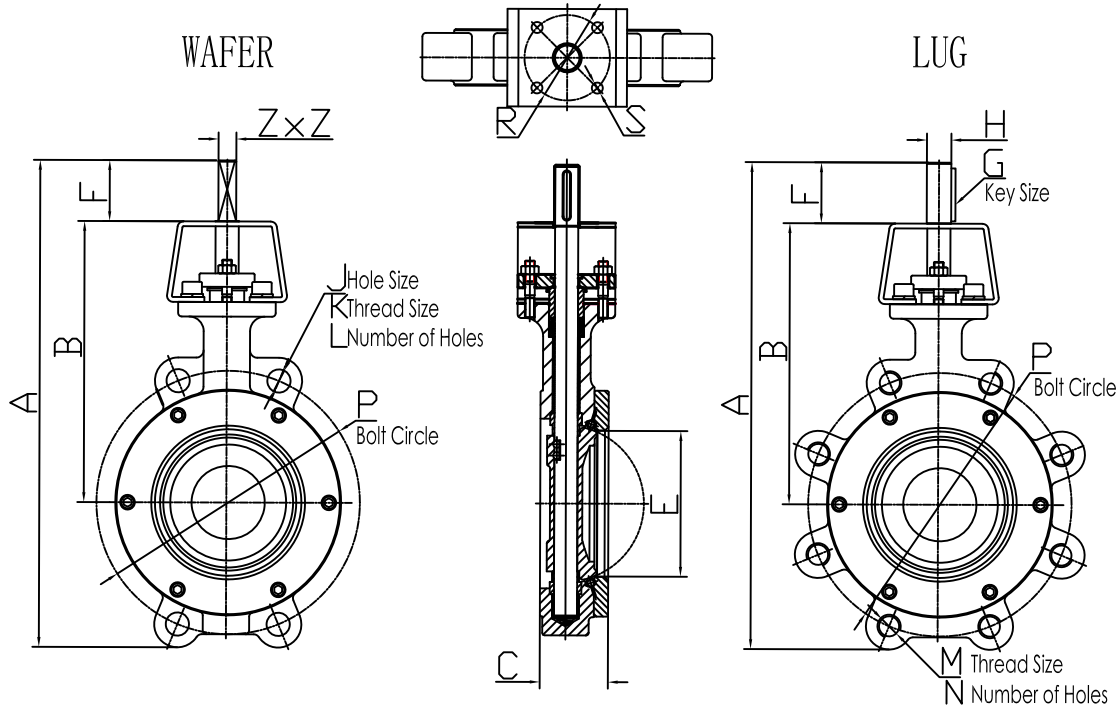


HIGH PERFORMANCE BUTTERFLY VALVE DIMENSIONS

ANSI CLASS 150



ANSI Class 150

VALVE SIZE	WAFER		LUG		B	C	E	F	Z x Z		J	K	L	M x N	P ins mm	R	S	WEIGHT (Kg)	
	mm	ins	A	A					ins/mm									G	H
50	2"	10.118 257	10.157 258	7.598 193	1.693 43	2.362 60	1.063 27	0.433*0.433 11*11						5/8-11X4	4.752 120.7	φ70	4Xφ9	4.4	4.8
65	2½"	10.236 260	10.236 260	7.598 193	1.811 46	2.756 70	1.063 27	0.433*0.433 11*11						5/8-11X4	5.50 139.7	φ70	4Xφ9	4.9	5.3
80	3"	11.575 294	11.378 289	8.583 218	1.929 49	3.228 82	1.063 27	0.433*0.433 11*11						5/8-11X4	6.00 152.4	φ70	4Xφ9	5.6	6.5
100	4"	13.189 335	13.307 338	9.402 239	2.047 52	4.173 106	1.063 27	0.551*0.551 14*14						5/8-11X8	7.50 190.5	φ70	4Xφ9	8	11.5
125	5"	14.685 373	14.764 375	10.354 263	2.205 56	5.039 128	1.181 30	0.669*0.669 17*17						3/4-10X8	8.50 215.9	φ70	4Xφ9	10.5	13.5
150	6"	15.827 402	16.063 408	10.906 277	2.402 61	5.984 152	1.260 32	0.669*0.669 17*17						3/4-10X8	9.50 241.3	φ70	4Xφ9	13.5	16.5
200	8"	18.346 466	18.543 471	12.480 317	2.500 63.5	7.677 195	1.772 45	0.669*0.669 17*17						3/4-10X8	11.750 298.45	φ70	4Xφ9	20.6	24.5
250	10"	21.063 535	21.417 544	13.701 348	2.795 71	9.646 245	1.969 50	0.866*0.866 22*22	oval				2	7/8-9X12	14.250 361.95	φ102	4Xφ11	39	45.5
300	12"	24.066 625	24.803 630	15.748 400	3.228 82	11.496 292	2.362 60	1.063*1.063 27*27	oval				2	7/8-9X12	17.00 431.8	φ140	4Xφ18	55	67.5
350	14"	28.031 712	27.598 701	16.417 417	3.622 92	13.346 339	2.362 60	1.063*1.063 27*27	oval				4	1-8X12	18.750 476.25	φ140	4Xφ18	68	115
400	16"	31.181 792	31.181 792	18.740 476	4.008 101.8	15.236 387	3.150 80	1.063*1.063 27*27	oval				4	1-8X16	21.250 539.75	φ165	4Xφ21	116	132
450	18"	35.315 897	35.315 897	22.205 564	4.512 114.6	17.130 435	3.543 90	1.417*1.417 36*36	oval				4	1 1/8-8X16	22.750 577.85	φ165	4Xφ21	145	168
500	20"	37.992 965	37.992 965	23.543 598	5.000 127	19.291 490	3.543 90	1.417*1.417 36*36		1 1/8-8			4	1 1/8-8X20	25.0 635.0	φ165	4Xφ21	185	220
600	24"	43.189 1097	43.189 1097	26.457 672	6.043 153.5	23.031 585	4.331 110	1.811*1.811 46*46		1 1/4-8			4	1 1/4-8X20	29.50 749.3	φ165	4Xφ21	290	310
650	26"	45.906 1166	45.906 1166	27.874 708	6.496 165	25.200 640	4.331 110	1.811*1.811 46*46		1 1/4-8			4	1 1/4-8X24	31.750 806.45	φ165	4Xφ21	330	345
700	28"	48.504 1232	48.504 1232	29.055 738	6.496 165	27.165 690	4.331 110	1.811*1.811 46*46		1 1/4-8			4	1 1/4-8X28	34.0 863.6	φ165	4Xφ21	495	579
750	30"	51.260 1302	51.260 1302	30.433 773	7.520 191	28.307 719	4.724 120	0.866 22	3.150 80		1 1/4-8		4	1 1/4-8X28	36.0 914.4	φ165	4Xφ21	652	773
800	32"	53.425 1357	53.425 1357	31.339 796	7.520 191	30.200 767	4.724 120	0.866 22	3.150 80		1 1/2-8		4	1 1/2-8X28	38.50 977.9	φ165	4Xφ21	736	922
850	34"	56.850 1444	56.850 1444	33.701 856	7.756 197	32.126 816	4.724 120	0.866 22	3.150 80		1 1/2-8		4	1 1/2-8X32	40.50 1028.7	φ254	8Xφ17	842	1047
900	36"	59.134 1502	59.134 1502	36.417 925	8.268 210	34.016 864	4.724 120	0.866 22	3.150 80		1 1/2-8		4	1 1/2-8X32	42.750 1085.85	φ254	8Xφ17	871	1160
1000	40"	64.331 1634	64.331 1634	37.520 953	9.488 241	37.008 940	5.118 130	0.984 25	4.134 105		1 1/2-8		4	1 1/2-8X36	47.250 1200.15	φ254	8Xφ17	1728	1779
1050	42"	66.535 1690	66.535 1690	38.543 979	9.488 241	39.055 992	5.118 130	0.984 25	4.134 105		1 1/2-8		4	1 1/2-8X36	49.50 1257.3	φ254	8Xφ17	1905	1930
1200	48"	74.685 1897	74.685 1897	43.386 1102	10.000 254	46.102 1171	5.118 130	1.260 32	4.528 115		1 1/2-8		4	1 1/2-8X44	56.0 1422.4	φ298	8Xφ22	2074	2548
1350	54"	82.283 2090	82.283 2090	47.598 1209	10.748 273	52.441 1332	5.906 150	1.417 36	5.512 140		1 3/4-8		4	1 3/4-8X44	62.750 1593.85	φ298	8Xφ22	3175	3210