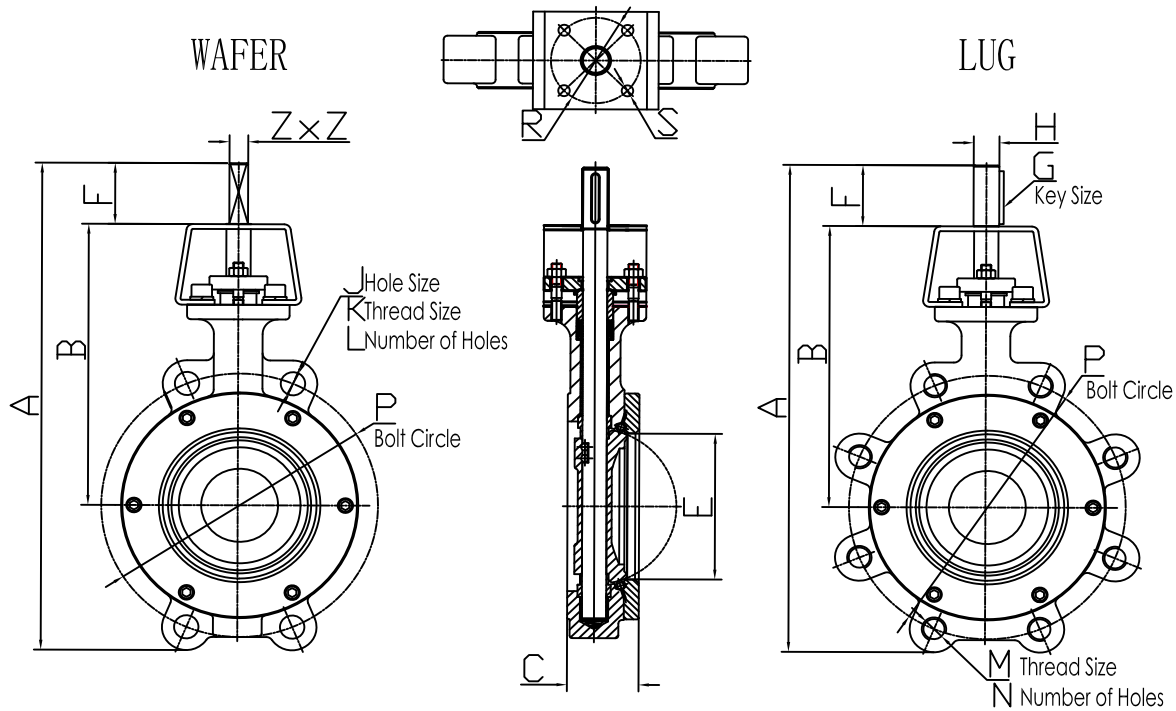


HIGH PERFORMANCE BUTTERFLY VALVE DIMENSIONS

ANSI CLASS 300



DOUBLE OFFSET HIGH PERFORMANCE BUTTERFLY VALVES

ANSI Class 300

VALVE SIZE	WAFER	LUG	B	C	E	F	Z x Z		J	K	L	M x N	P ins mm	R	S	WEIGHT (Kg)	
							G	H								WAFER	LUG
50	2"	10.118 257	10.472 266	7.480 190	1.693 43	2.362 60	1.063 27	0.433*0.433 11*11	oval		4	5/8-11X8	5.00 127	Ø70	4XØ9	4.5	6.1
65	2½"	10.236 260	10.906 277	7.480 190	1.811 46	2.717 69	1.063 27	0.433*0.433 11*11				3/4-10X8	5.878 149.3	Ø70	4XØ9	5	7
80	3"	11.575 294	12.244 311	8.504 216	1.929 49	3.228 82	1.063 27	0.433*0.433 11*11				3/4-10X8	6.625 168.28	Ø70	4XØ9	6.5	9
100	4"	13.150 335	13.740 349	9.252 235	2.047 52	4.173 106	1.063 27	0.551*0.551 14*14				3/4-10X8	7.878 200.1	Ø70	4XØ9	8	14
125	5"	14.685 373	15.118 384	10.00 254	2.244 57	5.039 128	1.181 30	0.669*0.669 17*17				3/4-10X8	9.250 234.9	Ø70	4XØ9	10.5	16.5
150	6"	15.866 403	16.850 428	10.945 278	2.402 61	5.984 152	1.260 32	0.669*0.669 17*17				3/4-10X12	10.618 269.7	Ø70	4XØ9	16.5	22
200	8"	19.094 485	19.685 500	12.756 324	2.835 72	7.677 195	1.970 50	0.866*0.866 22*22				7/8-9X12	13.00 330.2	Ø102	4XØ11	35	41
250	10"	21.614 549	22.598 574	14.016 356	3.268 83	9.724 247	2.362 60	1.063*1.063 27*27	oval		2	1-8X16	15.250 387.3	Ø102	4XØ11	53	64
300	12"	26.299 668	26.299 668	16.811 427	3.622 92	11.575 294	2.756 70	1.063*1.063 27*27	oval		2	1½-8X16	17.750 450.8	Ø140	4XØ18	77	90
350	14"	30.433 773	30.433 773	18.386 467	4.646 118	13.465 342	3.150 80	1.417*1.417 36*36		1½-8	4	1½-8X20	20.250 514.3	Ø165	4XØ21	124	146
400	16"	35.512 902	35.512 902	23.110 587	5.354 136	15.236 387	3.150 80	1.417*1.417 36*36		1¼-8	4	1¼-8X20	22.50 571.5	Ø165	4XØ21	165	220
450	18"	38.189 970	38.189 970	24.646 626	5.984 152	17.322 440	3.543 90	1.417*1.417 36*36		1¼-8	4	1¼-8X24	24.750 628.6	Ø165	4XØ21	218	315
500	20"	44.646 1134	44.646 1134	26.535 674	6.339 161	19.370 492	3.937 100	1.811*1.811 46*46		1¼-8	4	1¼-8X24	27.00 685.8	Ø165	4XØ21	298	410
600	24"	48.386 1229	48.386 1229	30.709 780	7.165 182	23.110 587	4.724 120	0.866 22	3.150 80	1½-8	4	1½-8X24	32.00 812.8	Ø254	8XØ17	340	495
750	30"	56.614 1438	56.614 1438	34.252 870	8.858 225	28.425 722	5.118 130	0.984 25	4.134 105	1¾-8	4	1¾-8X28	39.250 996.95	Ø254	8XØ17	867	1150
900	36"	65.394 1661	65.394 1661	40.551 1030	10.669 271	34.016 864	5.906 150	1.260 32	4.528 115	1¾-8	4	1¾-8X32	46.00 1168.4	Ø298	8XØ22	1230	1540
1050	42"	68.268 1734	68.268 1734	43.189 1097	11.496 292	39.291 998	6.299 160	1.417 36	5.512 140	1½-8	4	1½-8X32	47.50 1206.6	Ø298	8XØ22	1760	2390
1200	48"	75.512 1918	75.512 1918	47.441 1205	12.520 318	46.457 1180	7.087 180	1.575 40	6.299 160	1¾-8	4	1¾-8X32	54.00 1371.6	Ø356	8XØ32	2270	2890

NOTE:

Drawings are for reference only. Please contact factory for separate drawing for each size at sales@huameimachinery.com. Huamei Machinery reserves the right to change product dimensions without notice.