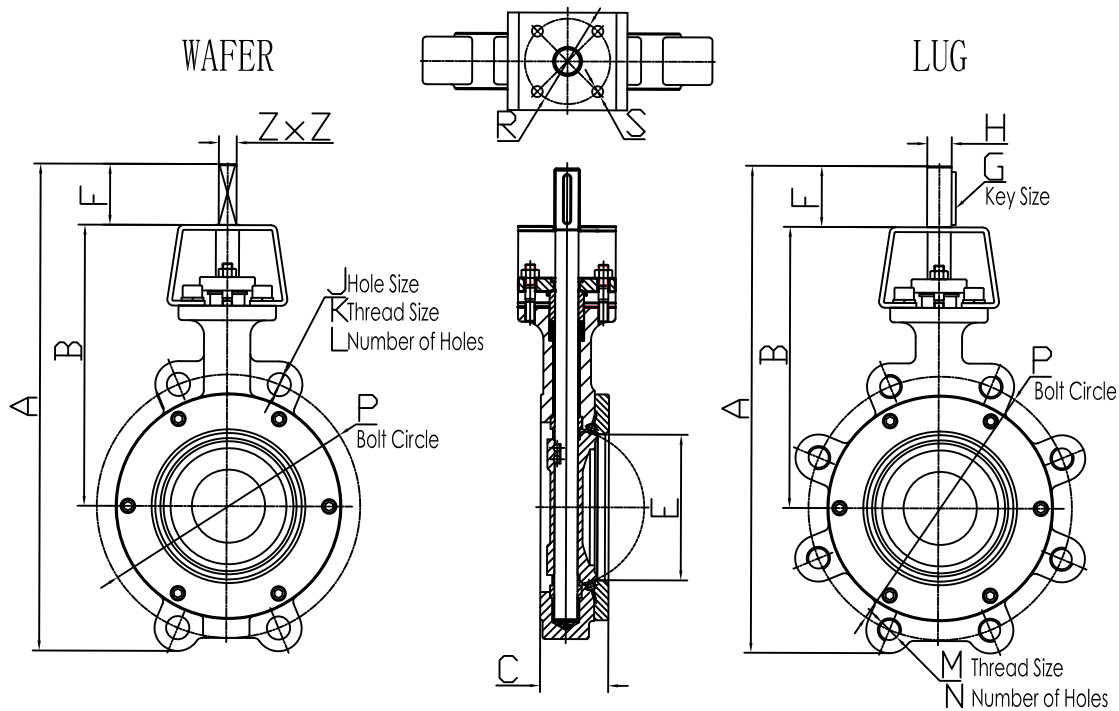


## HIGH PERFORMANCE BUTTERFLY VALVE DIMENSIONS

## PN16/PN25



### PN 1.6 MPa / PN 2.5 MPa

VALVE SIZE		WAFER	LUG	B	C	E	F	Z x Z		J	K	L	M x N	P	R	S	WEIGHT (Kg)	
DN	ins	A	A					G	H								PN1.6 PN2.5	PN1.6 PN2.5
50	2"	257	258	193	43	60.12	27	11*11					M16X4 M16X4	125	φ70	4Xφ9	4.4	4.8
65	2½"	260	260	193	46	69.5	27	11*11					M16X4 M16X8	145	φ70	4Xφ9	4.9	5.3
80	3"	294	289	218	49	82.44	27	11*11					M16X8 M16X8	160	φ70	4Xφ9	5.6	6.5
100	4"	335	338	239	52	105.7	27	14*14					M16X8 M20X8	180 190	φ70	4Xφ9	8	11.5
125	5"	373	375	263	56	128.06	30	17*17					M16X8 M24X8	210 220	φ70	4Xφ9	10.5	13.5
150	6"	402	408	277	61	151.8	32	17*17					M20X8 M24X8	240 250	φ70	4Xφ9	13.5	16.5
200	8"	466	471	317	63.5	195.3	45	17*17					M20X12 M27X12	295 310	φ70	4Xφ9	20.6	24.5
250	10"	535	544	348	71	244.7	50	22*22		oval		2	M24X12 M21X12	355 370	φ102	4Xφ11	39	45.5
300	12"	625	630	400	82	291.9	60	27*27		oval		2	M24X12 M27X16	410 430	φ140	4Xφ18	55	67.5
350	14"	712	701	417	92	339.2	60	27*27		oval		4	M24X16 M30X16	470 490	φ140	4Xφ18	68	115
400	16"	792	792	476	101.8	387.4	70	27*27		oval		4	M27X16 M33X16	525 550	φ165	4Xφ21	116	132
500	20"	965	965	598	127	489.8	90	36*36				4	M30X20 M33X20	650 660	φ165	4Xφ21	185	220
600	24"	1097	1097	672	153.5	585.4	110	46*46				4	M33X20 M36X20	770 770	φ165	4Xφ21	290	310
700	28"	1232	1232	738	165	689.9	148.7	46*46				4	M33X24 M39X24	840 875	φ165	4Xφ21	495	579
800	32"	1357	1357	796	191	767.1	148.7	22	80			4	M36X24 M45X24	950 990	φ165	4Xφ21	736	922
900	36"	1502	1502	925	210	864.0	158.2	22	80			4	M36X28 M45X28	1050 1090	φ254	8Xφ17	871	1160
1000	40"	1634	1634	953	241	940.0	158.2	25	105			4	M39X28 M52X28	1170 1210	φ254	8Xφ17	1728	1779
1200	48"	1897	1897	1102	254	1171.0	178.2	32	115			4	M45X32 M52X32	1390 1420	φ298	8Xφ22	2074	2548
1350	54"	2090	2090	1209	273	1332.0	178.2	36	140			4	M45X36 M56X36	1590 1640	φ298	8Xφ22	3175	3210