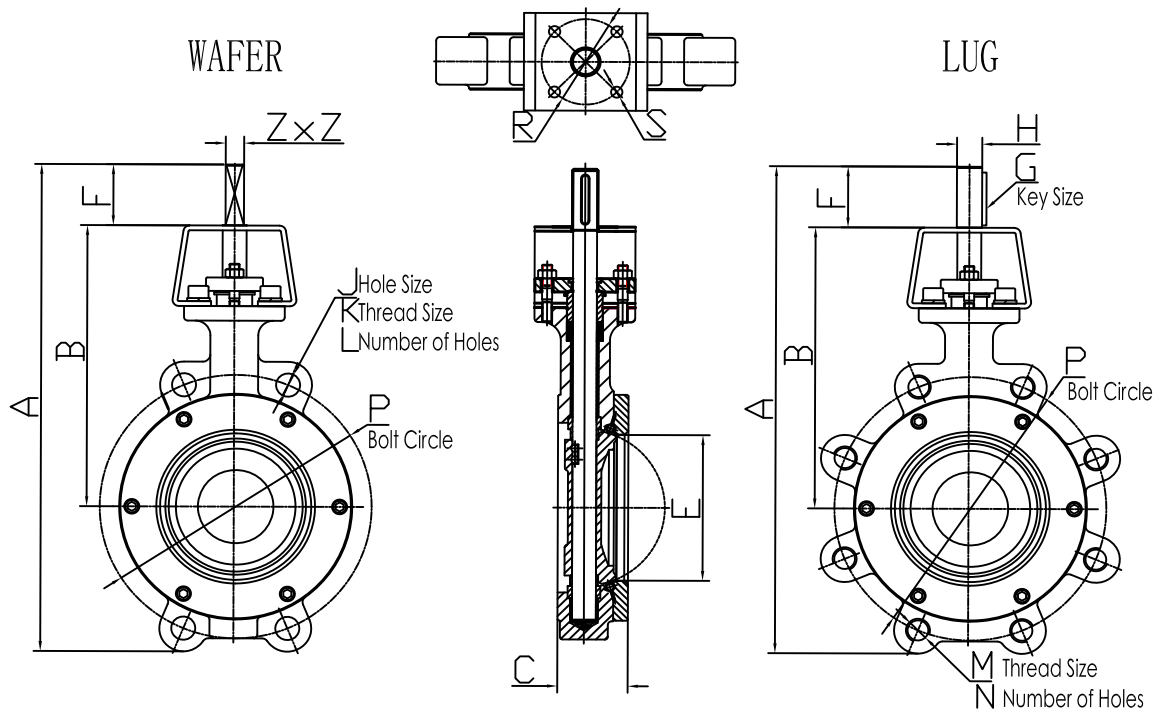


HIGH PERFORMANCE BUTTERFLY VALVE DIMENSIONS

PN40



P N 4 . 0 M P a

VALVE SIZE		WAFER	LUG	B	C	E	F	Z x Z		J	K	L	M x N	P mm	R mm	S mm	WEIGHT (Kg)	
DN	ins	A	A					G	H								WAFER	LUG
50	2"	257	266	190	43	60	27	11*11	oval			4	M16X4	125	φ70	4Xφ9	4.5	6.1
65	2½"	260	277	190	46	69	27	11*11					M16X8	145	φ70	4Xφ9	5	7
80	3"	294	311	216	49	82	27	11*11					M16X8	160	φ70	4Xφ9	6.5	9
100	4"	335	349	235	52	106	27	14*14					M20X8	190	φ70	4Xφ9	8	14
125	5"	373	384	254	57	128	30	17*17					M24X8	220	φ70	4Xφ9	10.5	16.5
150	6"	403	428	278	61	152	32	17*17					M24X8	250	φ70	4Xφ9	16.5	22
200	8"	485	500	324	72	195	50	22*22					M27X12	320	φ102	4Xφ11	35	41
250	10"	549	574	356	83	247	60	27*27	oval			2	M30X12	385	φ102	4Xφ11	53	64
300	12"	668	668	427	92	294	70	27*27	oval			2	M30X16	450	φ140	4Xφ18	77	90
350	14"	773	773	467.1	118	342	80	36*36		M33		4	M33X16	510	φ165	4Xφ21	124	146
400	16"	902	902	586.5	136	387	80	36*36		M36		4	M36X16	585	φ165	4Xφ21	165	220
450	18"	970	970	626	152	440	90	36*36		M36		4	M36X20	610	φ165	4Xφ21	218	315
500	20"	1134	1134	674	161	492.1	100	45*45		M39		4	M39X20	670	φ165	4Xφ21	298	410
600	24"	1229	1229	780	182	587	120	22	80	M45		4	M45X20	795	φ254	8Xφ17	340	495
700	28"	1355	1355	840	225	667	130	25	105	M45		4	M45X24	900	φ254	8Xφ17	530	660
900	36"	1661	1661	1030	271	864	150	32	115	M52		4	M52X28	1140	φ298	8Xφ22	1230	1540
1000	40"	1710	1710	1055	292	910	160	36	140	M52		4	M52X28	1250	φ298	8Xφ22	1450	1980
1200	48"	1918	1918	1205	318	1180	180	40	160	M56		4	M56X32	1371.6	φ356	8Xφ32	2270	2890

NOTE:

Drawings are for reference only. Please contact factory for separate drawing for each size at sales@huameimachinery.com. Huamei Machinery reserves the right to change product dimensions without notice.