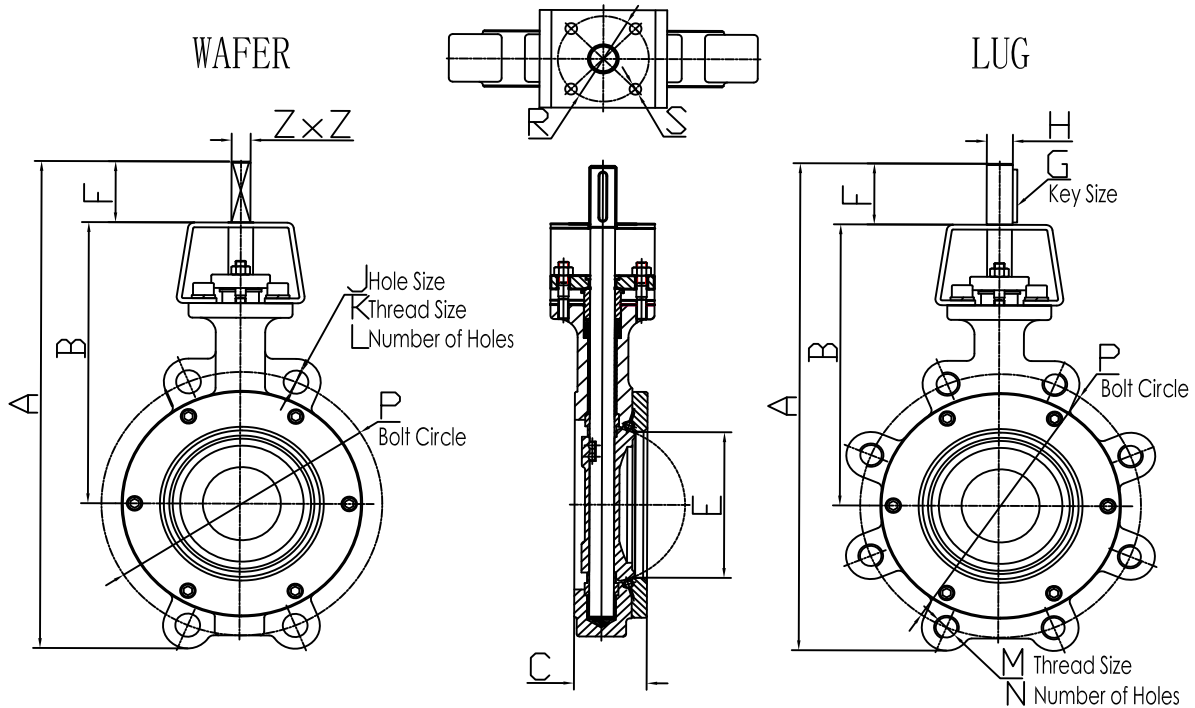


## HIGH PERFORMANCE BUTTERFLY VALVE DIMENSIONS

## PN100



### PN 10 . 0 M P a

VALVE SIZE		WAFER	LUG	B	C	E	F	Z x Z		J	K	L	M x N	P mm	R mm	S mm	WEIGHT (kg)	
DN	ins	A	A					G	H								WAFER	LUG
50	2"	267	267	199	49	54.1	27	14*14		oval		4	M24X8	145	φ70	4Xφ9	7.5	8.5
65	2½"	267	277	199	52	64.6	27	14*14					M24X8	170	φ70	4Xφ9	8.2	9.5
80	3"	309	319	226	56	77.4	30	17*17					M24X8	180	φ70	4Xφ9	10.5	13
100	4"	360	365	247	70	101.8	30	17*17					M27X8	210	φ70	4Xφ9	18.5	25
150	6"	459	459	300	85	145.6	55	27*27			M30	2	M30X12	290	φ102	4Xφ11	35	53
200	8"	582	582	354	107	188.7	60	27*27			M33	4	M33X12	360	φ102	4Xφ11	67	101
250	10"	668	668	392	122	235.1	60	32*32			M36	4	M36X12	430	φ165	4Xφ21	120	175
300	12"	770	770	465	140	285.7	60	32*32			M39	4	M39X16	500	φ165	4Xφ21	170	230
350	14"	896	896	568	155	326.2	75	36*36			M45	4	M45X16	560	φ165	4Xφ21	231	327
400	16"	1005	1005	631	178	377.3	90	46*46			M45	4	M45X16	620	φ165	4Xφ21	325	482
500	20"	1254	1254	806	216	468.6	120	25	105		M52	4	M52X20	760	φ254	8Xφ17	605	815
600	24"	1493	1493	794	232	565.5	150	32	115		M56	4	M56X20	875	φ298	8Xφ22	950	1285

**NOTE:**

Drawings are for reference only. Please contact factory for separate drawing for each size at sales@huameimachinery.com. Huamei Machinery reserves the right to change product dimensions without notice.