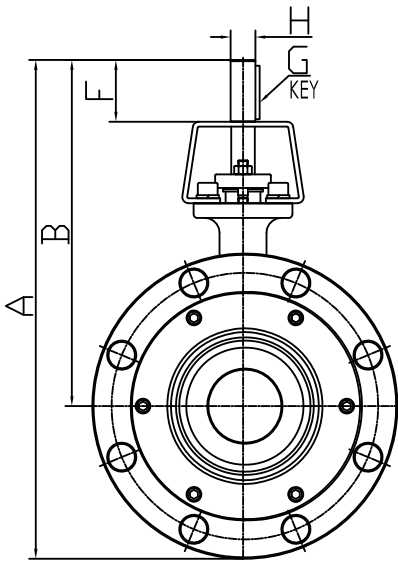


## HIGH PERFORMANCE BUTTERFLY VALVE DIMENSIONS

## DOUBLE FLANGE

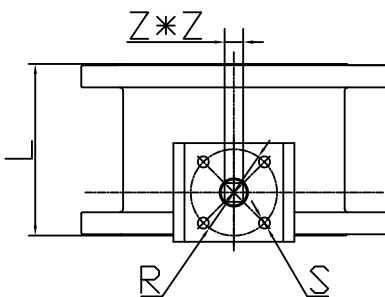
### PN1. 6MP/PN2. 5MPa

Flanged Valves



VALVE SIZE		A	B	L		F	Z x Z		R mm	S mm	WEIGHT (Kg)	
DN	ins			Long	Short		H	G			Long	Short
80	3"	323	227	205	114	27	11*11	φ70	4Xφ9	26	19	
100	4"	373	259	229	127	27	14*14	φ70	4Xφ9	34	25	
125	5"	404	277	254	140	30	17*17	φ70	4Xφ9	42	30	
150	6"	431	291	267	140	32	17*17	φ70	4Xφ9	49	34	
200	8"	504	332	292	140	45	17*17	φ70	4Xφ9	77	51	
250	10"	551	348.2	300	165	50	22*22	φ102	4Xφ11	102	78	
300	12"	642	400	356	178	60	27*27	φ140	4Xφ18	160	112	
350	14"	738	462	381	191	60	27*27	φ140	4Xφ18	198	141	
400	16"	771	473	406	216	80	27*27	φ165	4Xφ21	233	175	
450	18"	906	589	432	223	90	36*36	φ165	4Xφ21	272	213	
500	20"	968	618	457	229	90	36*36	φ165	4Xφ21	351	262	
600	24"	1098	691	508	267	110	46*46	φ165	4Xφ21	493	386	
700	28"	1243	736		292	110	46*46	φ165	4Xφ21		420	
750	30"	1293	801	610	318	120	80	22	φ165	4Xφ21	652	598
800	32"	1368	820		318	120	80	22	φ165	4Xφ21		660
900	36"	1509	925	711	330	120	80	22	φ254	8Xφ17	869	789

### PN4. 0MPa



VALVE SIZE		A	B	L		F	Z x Z		R mm	S mm	WEIGHT (Kg)	
DN	ins			Long	Short		H	G			Long	Short
80	3"	332	228	202	114	27	11*11	φ70	4Xφ9	30	21	
100	4"	385	258	305	127	27	14*14	φ70	4Xφ9	46	25	
125	5"	418	277	381	140	30	17*17	φ70	4Xφ9	59	42	
150	6"	453	295	403	140	32	17*17	φ70	4Xφ9	79	51	
200	8"	520	330	419	152	50	22*22	φ102	4Xφ11	109	83	
250	10"	583	361	475	165	60	27*27	φ102	4Xφ11	135	124	
300	12"	694	433	502	178	70	27*27	φ140	4Xφ18	211	173	
350	14"	759	467	762	191	80	36*36	φ165	4Xφ21	330	235	
400	16"	910	586	838	216	80	36*36	φ165	4Xφ21	423	329	
450	18"	981	625	914	225	90	36*36	φ165	4Xφ21	574	457	
500	20"	1349	674	991	229	100	46*46	φ165	4Xφ21	660	522	
600	24"	1238	780	1143	265	120	80	22	φ254	8Xφ17	862	808

**NOTE:**

Drawings are for reference only. Please contact factory for separate drawing for each size at sales@huameimachinery.com. Huamei Machinery reserves the right to change product dimensions without notice.